

Technical data sheet

Product features



Fry-top griddle plate combined chromed on open cabinet

| | | |
|--------------|-----------------|----------|
| Model | SAP Code | 00009434 |
|--------------|-----------------|----------|



- Top type: Combined
- Griddle dimensions [mm x mm]: 560 x 770
- Griddle thickness [mm]: 12.00
- Worktop material: AISI 304
- Container for liquid fat: Yes
- Independent heating zones: Separate control for each heating zone
- Surface finish: polished chrome 0.03 mm
- Removable rim: Yes
- Ignition: Piezo + Eternal Flame

| | | | |
|------------------------|----------|-------------------------------------|---|
| SAP Code | 00009434 | Power gas [kW] | 14.000 |
| Net Width [mm] | 800 | Type of gas | Natural gas, propane butane |
| Net Depth [mm] | 730 | Griddle dimensions [mm x mm] | 560 x 770 |
| Net Height [mm] | 900 | Top type | Combined |
| Net Weight [kg] | 91.00 | Worktop type | Molded - comfortable cleaning maintenance |

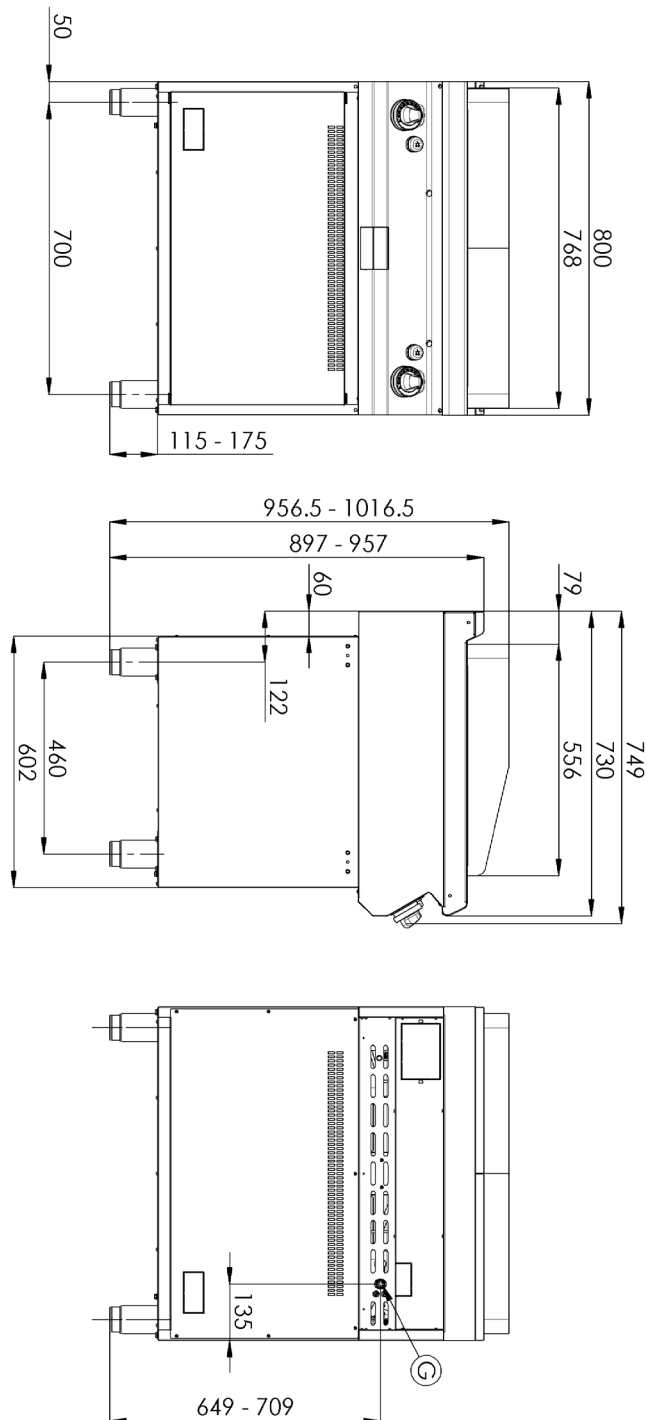
Technical data sheet

Technical drawing



Fry-top griddle plate combined chromed on open cabinet

| | | |
|--------------|-----------------|----------|
| Model | SAP Code | 00009434 |
|--------------|-----------------|----------|



Technical data sheet

Technical parameters



Fry-top griddle plate combined chromed on open cabinet

Model

SAP Code

00009434

1. SAP Code:

00009434

2. Net Width [mm]:

800

3. Net Depth [mm]:

730

4. Net Height [mm]:

900

5. Net Weight [kg]:

91.00

6. Gross Width [mm]:

840

7. Gross depth [mm]:

800

8. Gross Height [mm]:

1080

9. Gross Weight [kg]:

101.00

10. Device type:

Gas unit

11. Construction type of device:

With substructure

12. Power gas [kW]:

14.000

13. Ignition:

Piezo + Eternal Flame

14. Type of gas:

Natural gas, propane butane

15. Exterior color of the device:

Stainless steel

16. Material:

AISI 304 top plate and cladding

17. Worktop type:

Molded - comfortable cleaning maintenance

18. Worktop material:

AISI 304

19. Worktop Thickness [mm]:

1.50

20. Surface finish:

polished chrome 0.03 mm

21. Service accessibility:

Trough the frontal panel

22. Safety thermocouple:

Yes

23. Adjustable feet:

Yes

24. Griddle dimensions [mm x mm]:

560 x 770

25. Griddle thickness [mm]:

12.00

26. Container for liquid fat:

Yes

27. Removable device container:

No

28. Independent heating zones:

Separate control for each heating zone

Technical data sheet

Technical parameters



Fry-top griddle plate combined chromed on open cabinet

Model

SAP Code

00009434

29. Removable rim:

Yes

31. Top type:

Combinated

30. Uniform heating:

Yes

32. Connection to a ball valve:

1/2